

Compatible with Split Core Hall Transducer (Different Gain and Offset)

Wire Color (follow resistor color code)

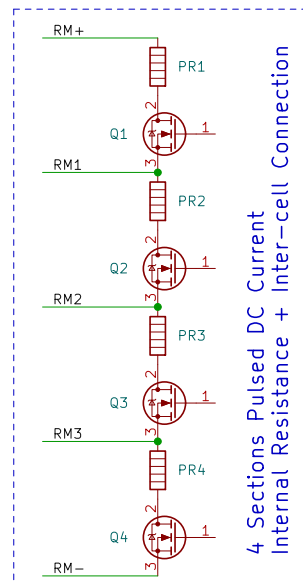
20AWG 300V 12-conductor
Total 12 Cables (only show 1)

- 1 BROWN
- 2 RED
- 3 ORANGE
- 4 YELLOW
- 5 GREEN
- 6 BLUE
- 7 VIOLET
- 8 GRAY/SLATE
- 9 WHITE
- 10 BLACK
- 11 TAN
- 12 PINK

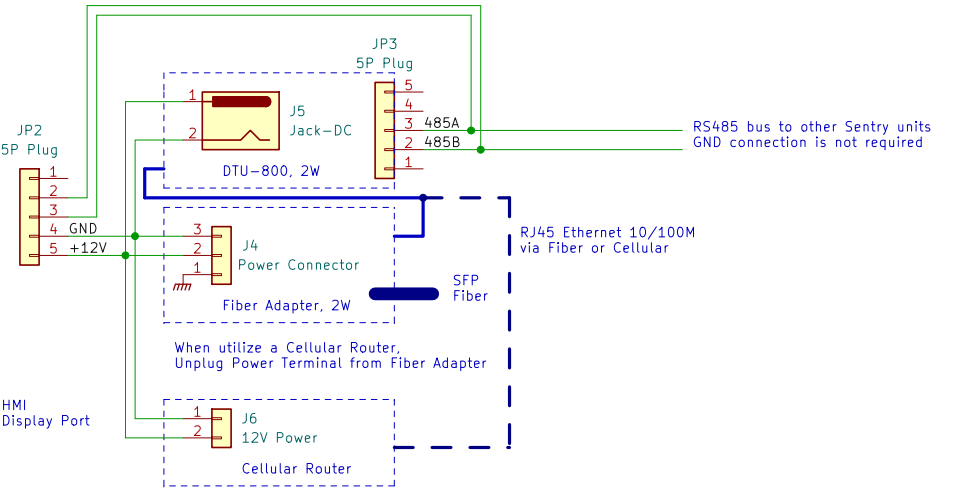
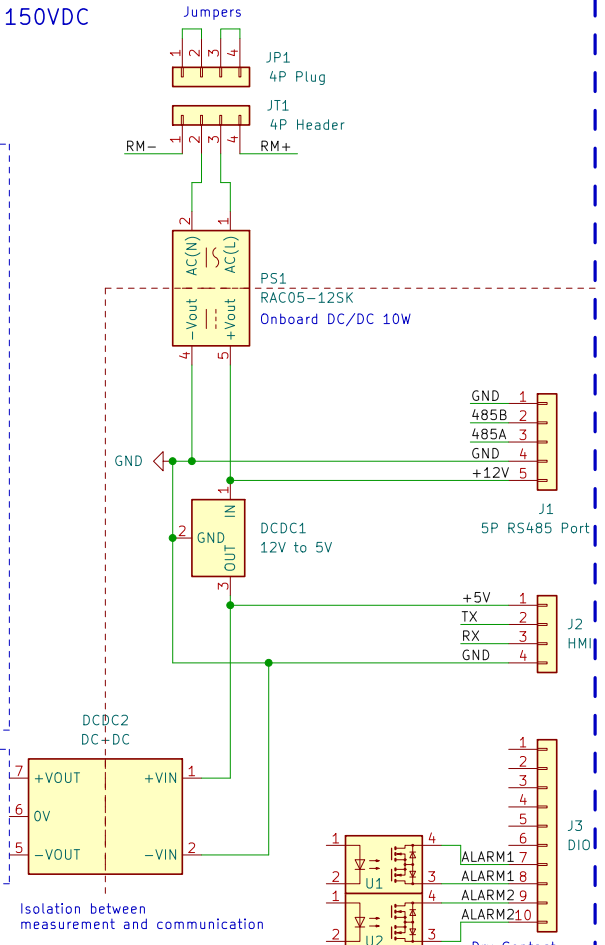
Cable	Terminal	Terminal	Terminal	Terminal	
CABLE#11	B51+	1	B51-	2	
	B52+	3	B52-	4	
	B53+	5	B53-	6	
	B54+	7	B54-	8	
	B55+	9	B55-	10	
	B56+	11	B56-	12	
	CABLE#10				
	CABLE#7				
	CABLE#6				
	CABLE#3				
	CABLE#2				
	CABLE#12				
CABLE#9					
CABLE#8					
CABLE#5					
CABLE#4					
CABLE#1					

Sentry-6002 Main Board

Working Voltage Range 80 to 150VDC



CPU
Scanning PhotoMOS Switches
IR Pulse Controller
Signal Conditioning
RMS Ripple Converter
24 bit A/D Sampling
Digital Signal Processing



F1 to F120, sampling fuse, 500mA
FR1 to FR5, IR fuse, 10A

Connection IR leads to the end of each section

Cells	Sections	RM1	RM2	RM3	RM4
60x2V	15+15+15+15	B15-	B30-	B45-	B60-
58x2V	15+14+15+14	B15-	B29-	B44-	B58-
55x2V	14+14+14+13	B14-	B28-	B42-	B55-