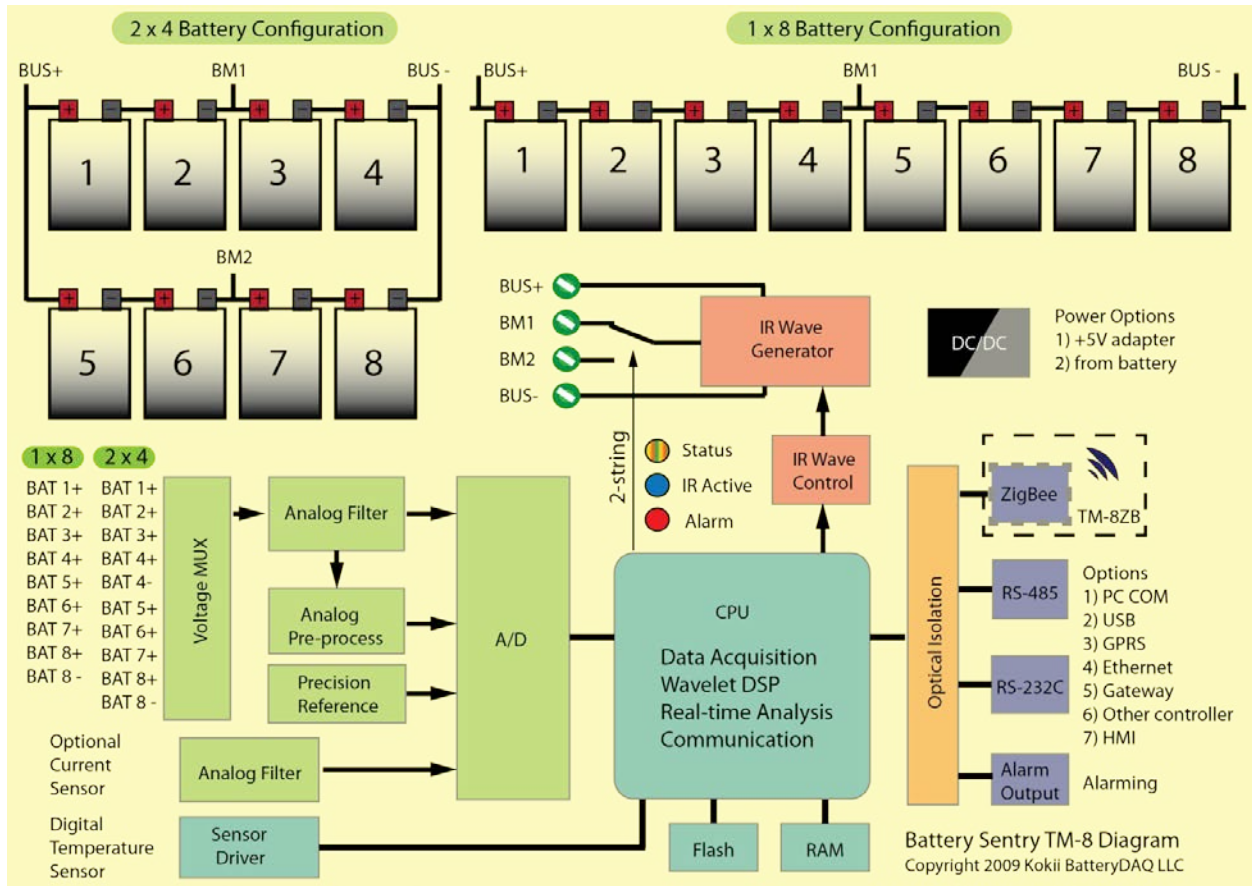


Sentry-S2 monitoring unit provides powerful functions for online state-of-health battery management for large scale remote telecom cabinets or stations. The compact design makes it suitable for any size indoor/outdoor cabinets with 12V or 6V battery blocks. It combines superior data quality and flexible installation for effective remote battery management according to the IEEE updated standards:

IEEE Std. 1188 - 2005: Recommended Practice for Maintenance, Testing, and Replacement of Valve-Regulated Lead- Acid (VRLA) Batteries for Stationary Applications ([IEEE Link](#))



Main Features

- IR (Internal Resistance) measurement for each battery
- String Voltage, Current (optional), Ambient/pilot temperature monitoring
- No mechanical scanning relays, resulting high reliability for telecom applications
- Compact design allows for easy installation on the top or inside of the battery cabinet.
- Industrial grade reliable connections
- Modbus RTU integration to site monitoring system



Specifications

Power Supply	
Power Input	Internal DC/DC converter, 20-60V input; Maximum Consumption: 3W
Current/Temperature Measurement	
Current Sensor (Optional)	Support LEM HASS current sensor with internal +5V power supply (Default range +/- 300A, window size 20mmx10mm)
Accuracy	0.1% + sensor accuracy
Temperature Sensors	1 digital sensor for ambient or pilot temperature
Range	Measurement range: -40 to 65°C (-40°F to 149°F)
Accuracy	1 °C
Voltage Measurement	
Battery	48V system with 4 x12V or 8x6V batteries, up to 200Ah, 1 to 2 strings 24V system with 2x12V or 4x6V batteries, up to 200Ah, 1 to 2 strings
Bus Voltage	Range: 20 – 60V; Accuracy: 0.1%
Input Range to Each Channel	+/- 18V for 12V batteries
Accuracy	0.1%
Internal Resistance	
Range and Resolution	0 to 30mΩ, 0.01mΩ resolution
Wire Mode	1-wire mode Internal Resistance for each battery block
Communication	
Serial Ports	RS232C and RS485 (RS232 port supports plug and play HMI touch screen tool) Modbus RTU, 9600-N-8-1, address 1 to 28 set with HMI <i>Integrated with main stream intelligent site monitoring systems to manage thousands of sites</i>
Indication and Alarm	
LED Indication	<ul style="list-style-type: none"> ▪ Dual-color LEDs for status ▪ LED for service alarm ▪ LED for urgent alarm
Alarm Outputs	Alarm (Normal Close, 0.1A capacity)
Dimensions	
Unit Dimensions	130mm(L) x 80mm(W) x 30mm(D)
Mounting	Magnetic Cup

***Specifications subject to change without notice**

