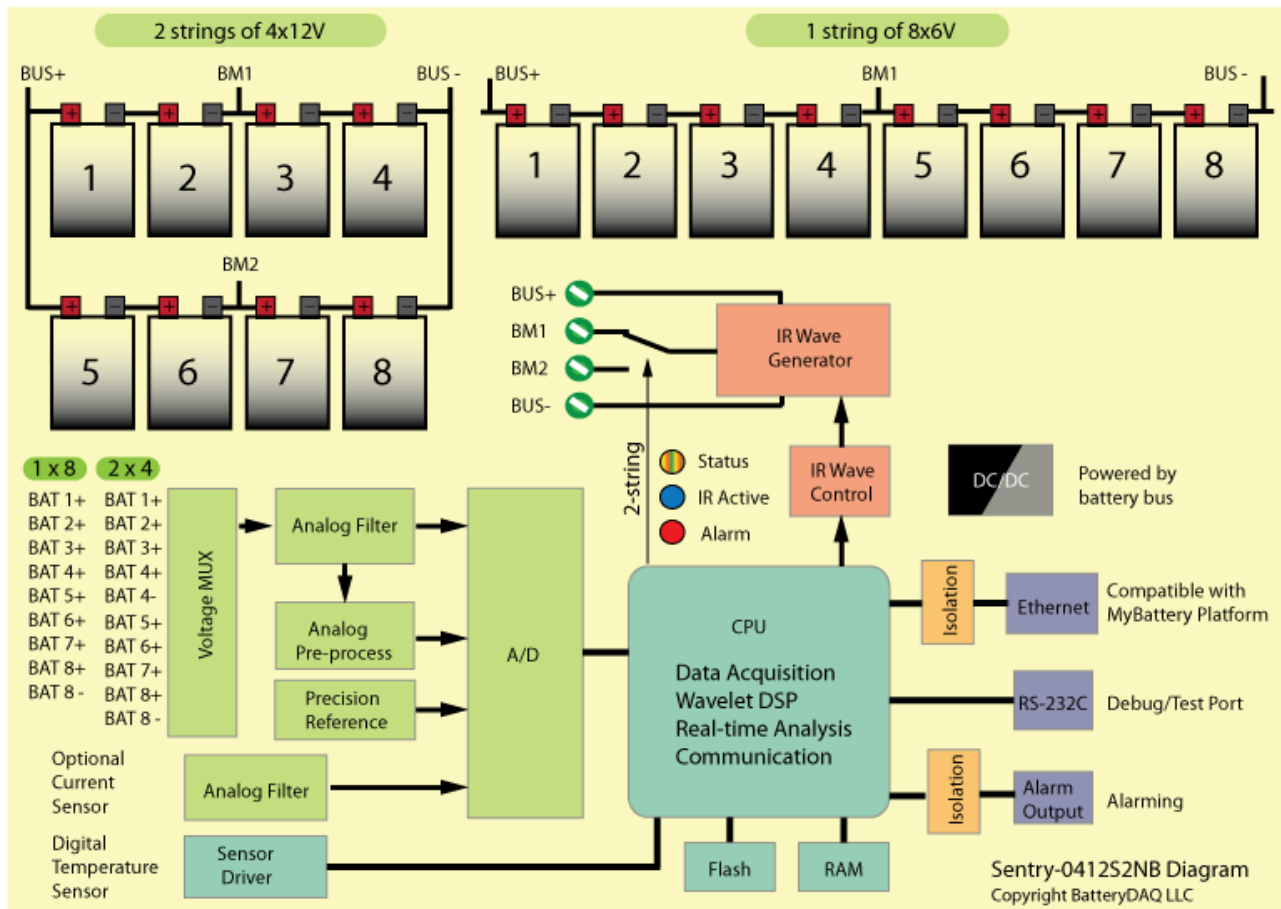


Sentry-NB8 monitoring unit provides powerful functions for online state-of-health battery management for large scale remote telecom cabinets or stations. The compact design makes it suitable for any size indoor/outdoor cabinets with 12V or 6V battery blocks. It combines superior data quality and flexible installation for effective remote battery management according to the IEEE updated standards:

IEEE Std. 1188 - 2005: Recommended Practice for Maintenance, Testing, and Replacement of Valve-Regulated Lead- Acid (VRLA) Batteries for Stationary Applications ([IEEE Link](#))



Main Features

- IR (Internal Resistance) measurement for each battery
- No mechanical scanning relays, resulting high reliability for telecom applications
- Compact design allows for easy installation on the top or inside of the battery cabinet.
- Industrial grade reliable connections
- Full support to networking battery management system
- Compatible with MyBattery Platform™ for web based remote monitoring.
- Ambient and pilot battery temperature monitoring



Specifications

Power Supply	
Power Input	Internal DC/DC converter, 36-60V input; Maximum Consumption: 3W
Current/Temperature Measurement	
Current Sensor (Optional)	Support LEM HASS current sensor with internal +5V power supply (Default range +/- 300A, window size 20mmx10mm)
Accuracy	0.1% + sensor accuracy
Temperature Sensors	1 ambient/pilot temperature sensor
Range	Measurement range: -40 to 65°C
Accuracy	1 °C
Voltage Measurement	
Battery	4 x12V and 8x6V battery, up to 200Ah 1 to 2 strings
Bus Voltage	Range: 36 – 60V; Accuracy: 0.1%
Input Range to Each Channel	+/- 18V for 12V batteries
Accuracy	0.1%
Internal Resistance	
Range and Resolution	0 to 30mΩ, 0.01mΩ resolution
Wire mode	1-wire mode Internal Resistance for each battery block
Communication	
Ethernet	Onboard Ethernet DTU Compatible with Battery Analyzer software and MyBattery Platform™
Indication and Alarm	
LED indication	<ul style="list-style-type: none"> ▪ Dual-color LEDs for status ▪ LED for service alarm ▪ LED for urgent alarm
Alarm Outputs	Service Alarm (Normal Close, 0.1A capacity) Urgent Alarm (Normal Close, 0.1A capacity)
Dimensions	
Unit Dimensions	130mm(L) x 80mm(W) x 30mm(D)
Mounting	3M™ Dual Lock™, (Magnetic Cup, or Screw, or DIN Rail optional)

***Specifications subject to change without notice**

